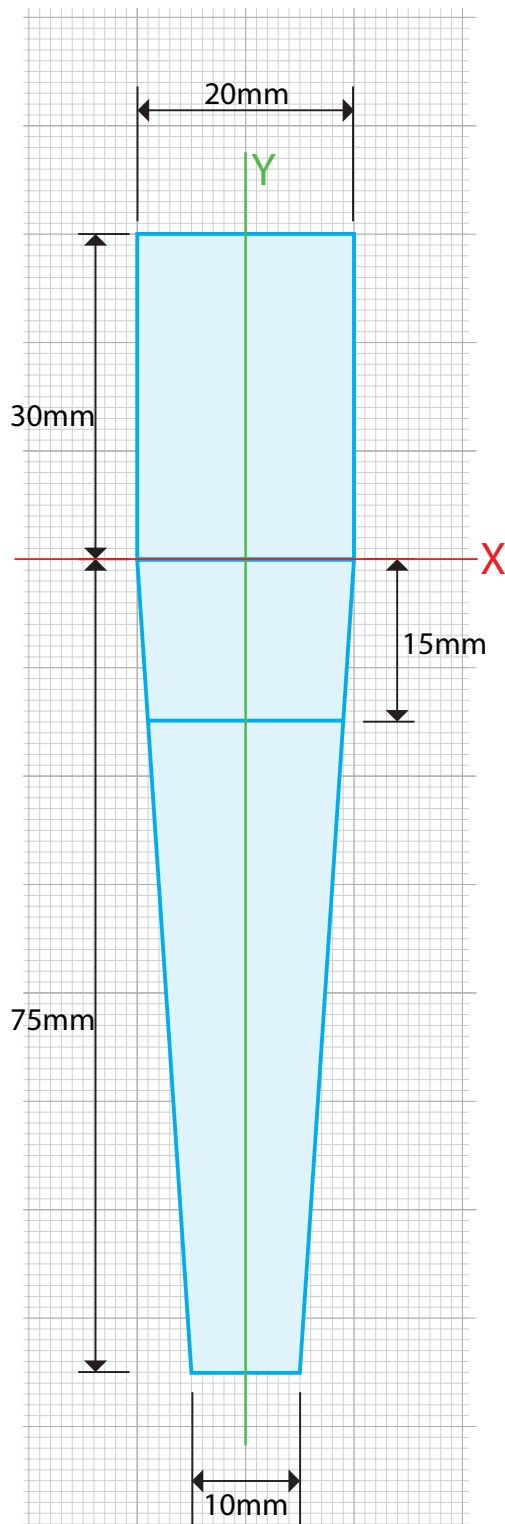
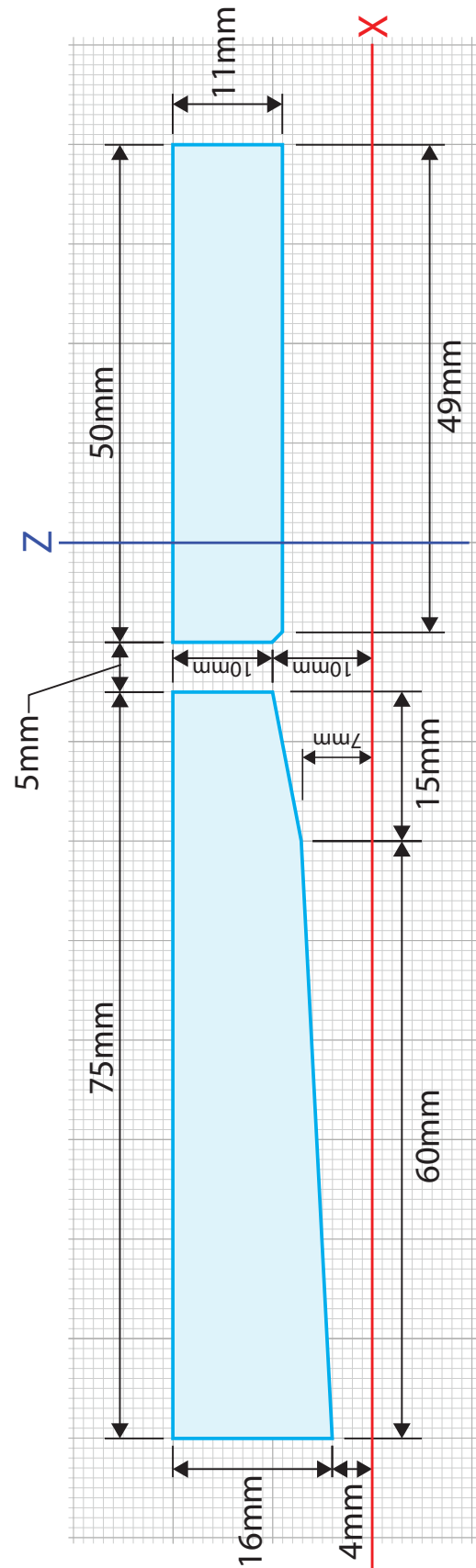


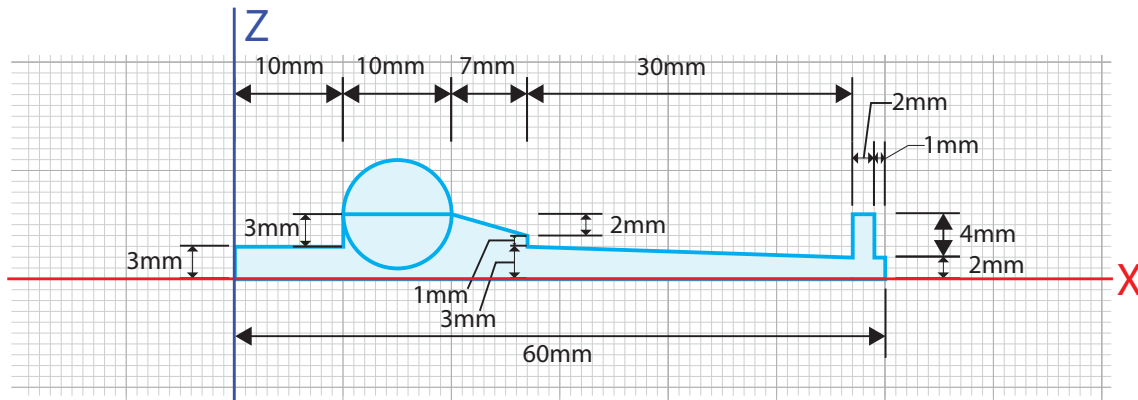
ref. sketch 1



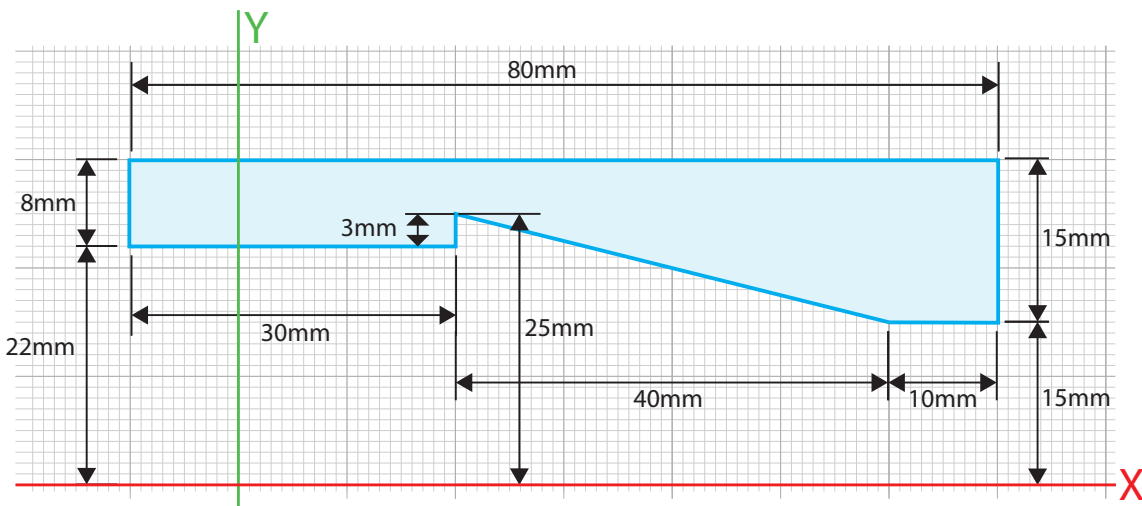
ref. sketch 2



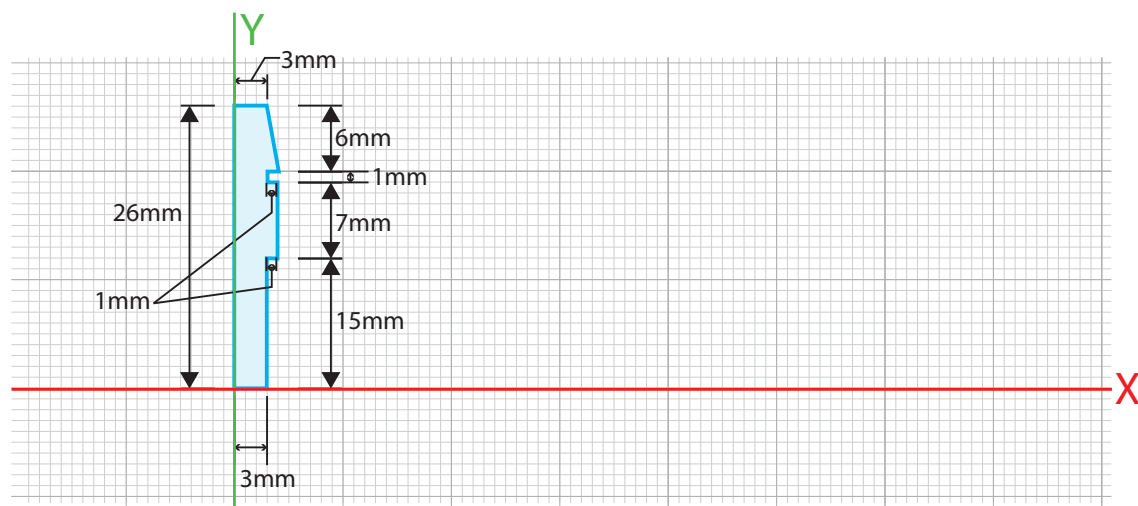
ref. sketch 3



ref. sketch 4

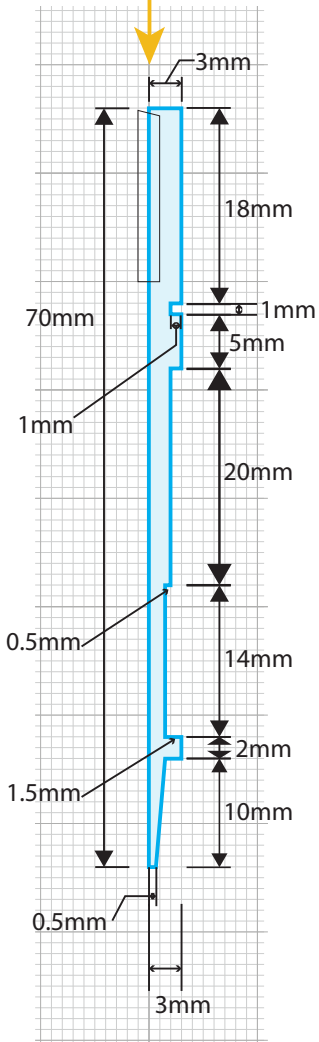
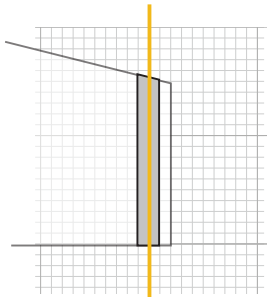


ref. sketch 5



ref. sketch 6

Line up the long edge of the sketch below with the center the surface used to create the sketch plane.



ref. sketch 7

